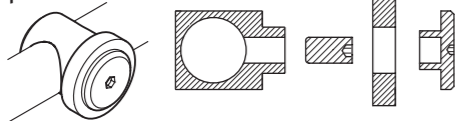


1 Set sliding door fittings **Slick 1**

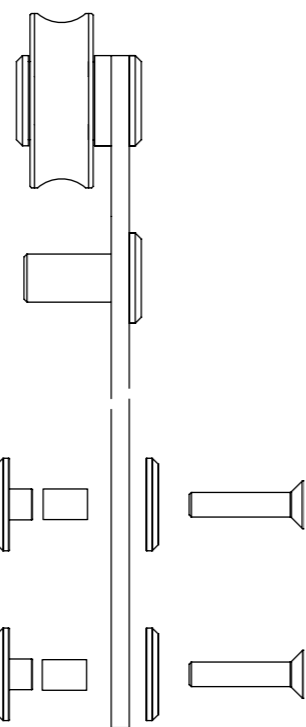
2 Guide rail



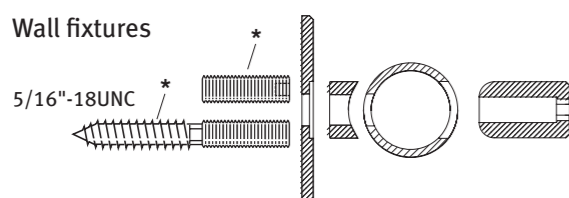
3 Door stoppers



4 Trolley complete

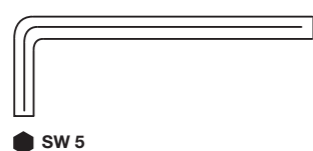


5 Wall fixtures



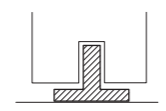
(without screws and dowels, at construction site)
* not included in scope of delivery.

6 Special tool



7 Bottom guide

(without screws and dowels, at construction site)

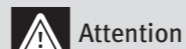


Comply with all general safety regulations when installing the sliding door fittings!

Installation to be completed by qualified licensed contractor.

Be sure to tighten all screw connections one week after starting to use the sliding door fittings!

Never use scouring agents to clean the sliding door fittings; rather use commercially available stainless-steel cleaners!



Attention



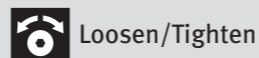
Screw on



Screw on



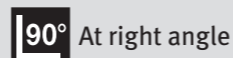
Screw on



Loosen/Tighten



Install



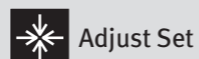
At right angle



Drill



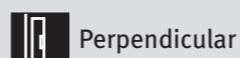
Dowels



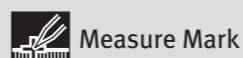
Adjust Set



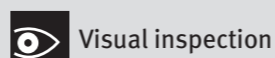
Level



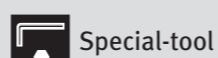
Perpendicular



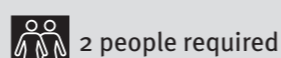
Measure Mark



Visual inspection



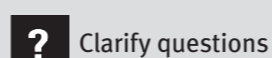
Special-tool



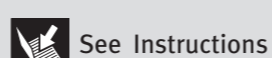
2 people required



Measure



Clarify questions



See Instructions



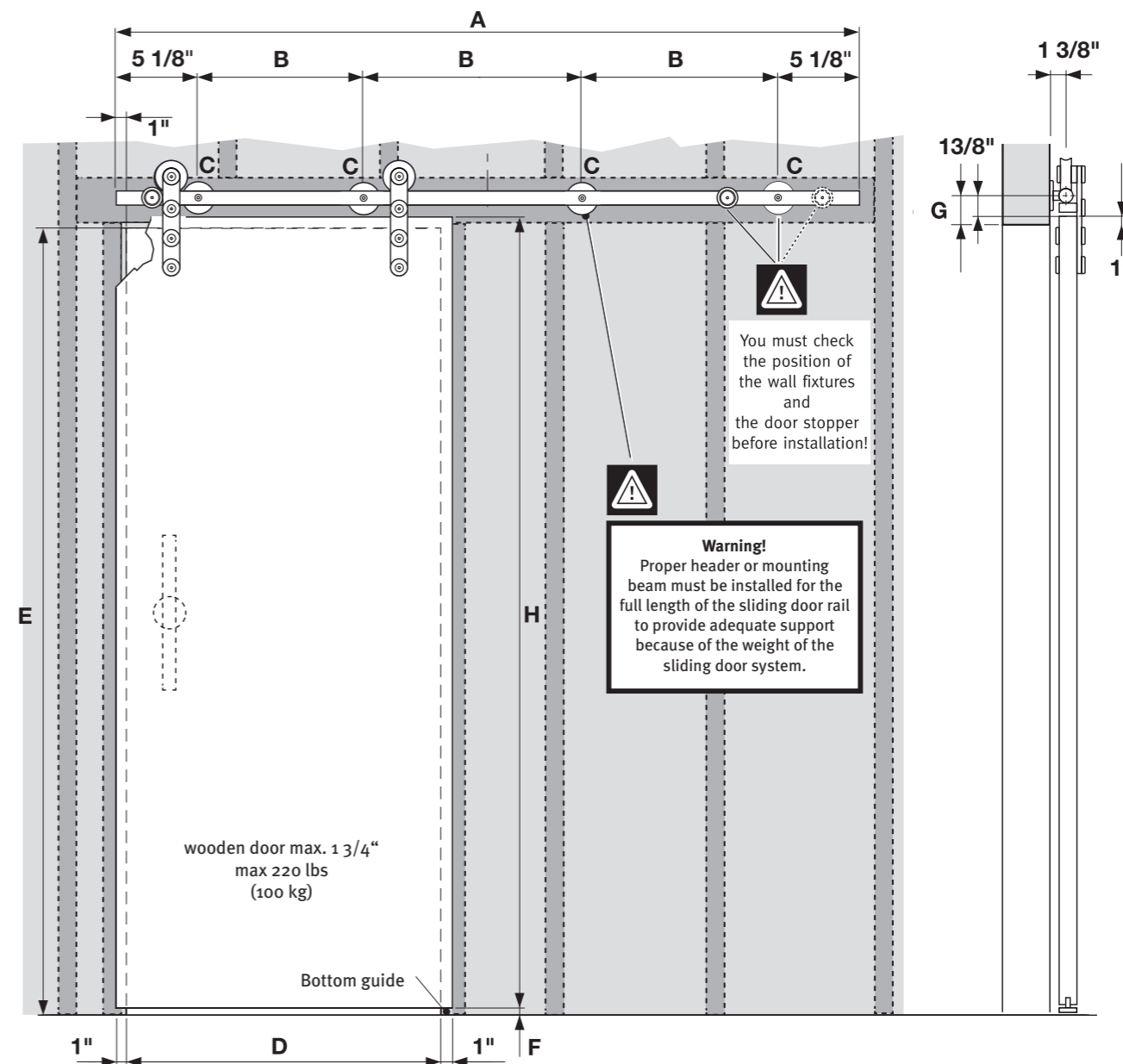
Secure

USU95_MONT_USx

Installation instructions

Sliding door fittings **Slick 1**

for wooden doors (max. 1 3/4" thickness)



Set Slick 1	Set /Each					
1 Art. No.	2	3	4	5	6	7
USU95-1800EF	1	2	2	4	1	1
USU95-2100EF	1	2	2	4	1	1
USU95-2300EF	1	2	2	5	1	1
USU95-2540EF	1	2	2	5	1	1

Beyerle US L.L.C., ABP-Beyerle it's subsidiaries and agents are not responsible or liable for damage or injury to any persons or property due to improper installation of it's products.
All liabilities reside solely with the installer.



Beyerle US L.L.C.
1294 Logan Circle NW, Atlanta, GA 30318
Phone (404) 350-9738, Fax (404) 355-0166, www.beyerle-us.com

Complete-sets

Set Slick 1 Artikel-No.	A inch	B inch	C Each	D inch	E max. inch	F inch	G inch	H max. inch (H=E-F+1")
USU95-1800EF	70 7/8"	20 1/4"	4	29 1/2" - 35 7/16"	98 7/16"	1/4"-3/8"	2 3/8"	99 1/8"
USU95-2100EF	82 11/16"	24 1/8"	4	35 13/16" - 39 3/8"	98 7/16"	1/4"-3/8"	2 3/8"	99 1/8"
USU95-2300EF	90 9/16"	20 1/16"	5	39 3/4" - 44 1/16"	98 7/16"	1/4"-3/8"	2 3/8"	99 1/8"
USU95-2540EF	100"	22 7/16"	5	44 1/2" - 49 3/16"	98 7/16"	1/4"-3/8"	2 3/8"	99 1/8"

Right to make technical changes reserved - Dimensions in inches - Version 11.2011x
© by ABP-Beyerle GmbH



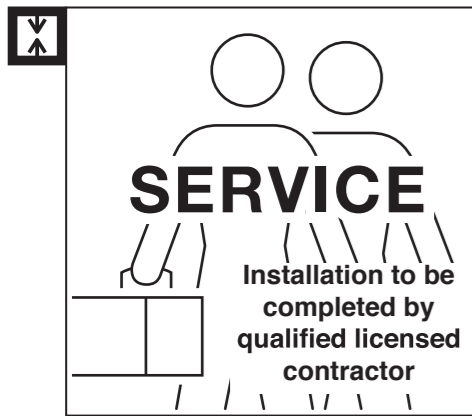


Fig. 1

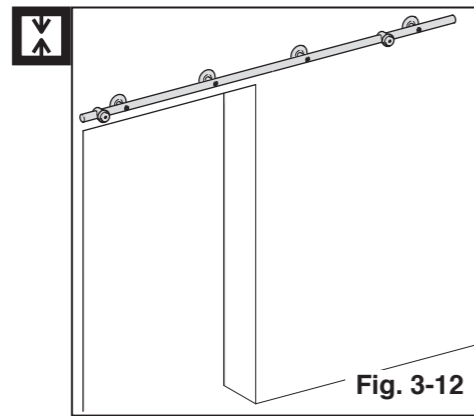


Fig. 2

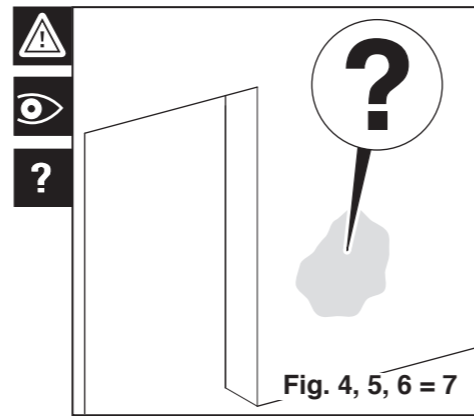


Fig. 3

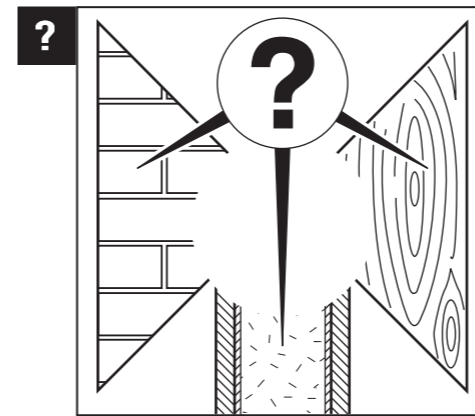


Fig. 4

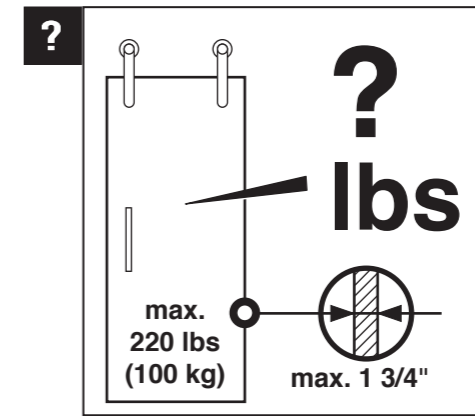


Fig. 5

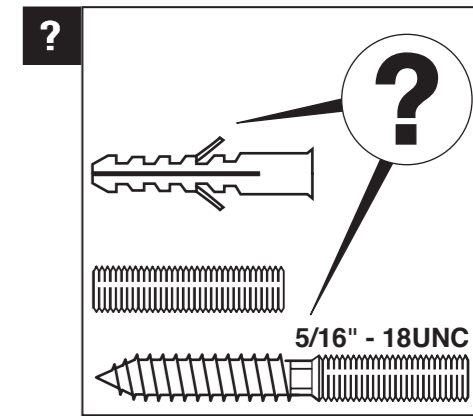


Fig. 6

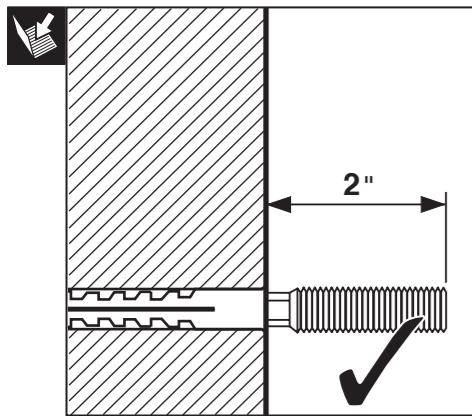


Fig. 7

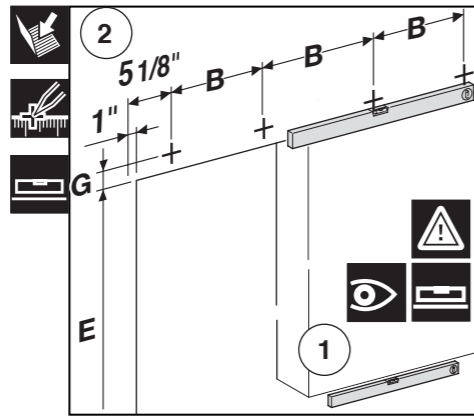


Fig. 8

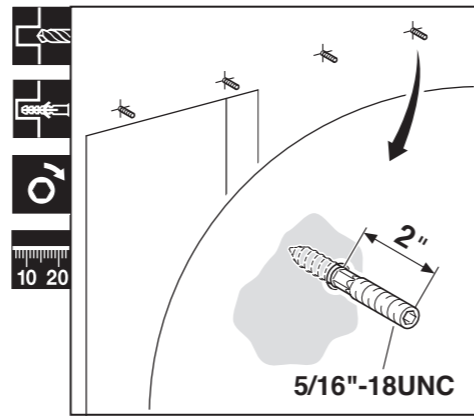


Fig. 9

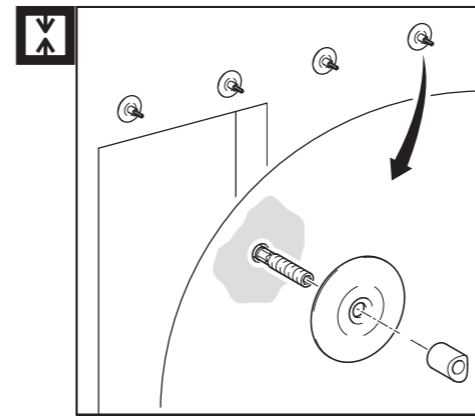


Fig. 10

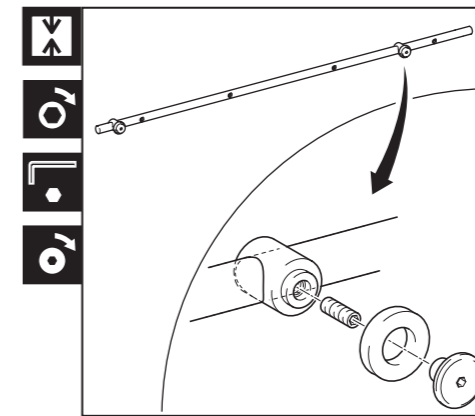


Fig. 11

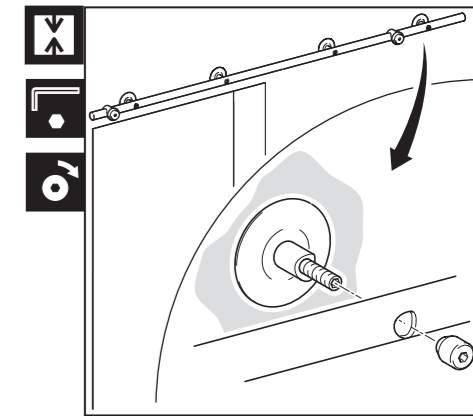


Fig. 12

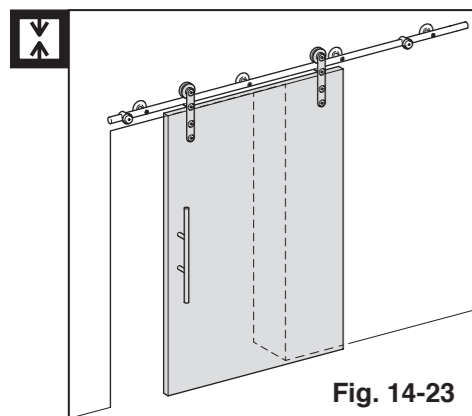


Fig. 14-23

Fig. 13

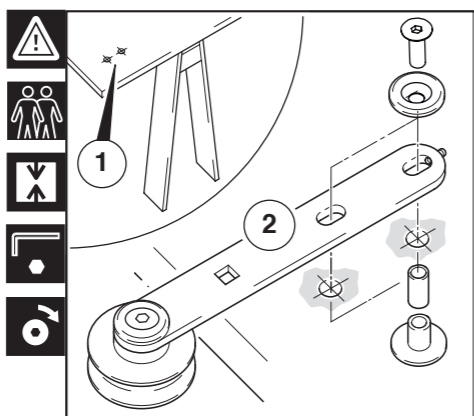


Fig. 14

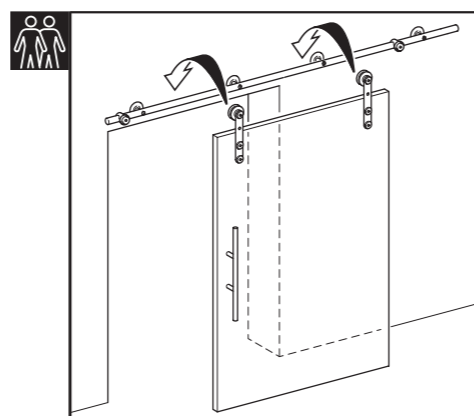


Fig. 15

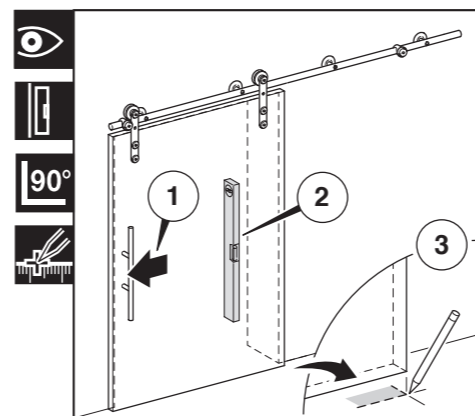


Fig. 16

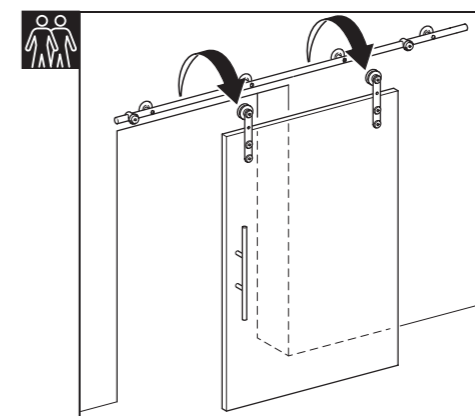


Fig. 17

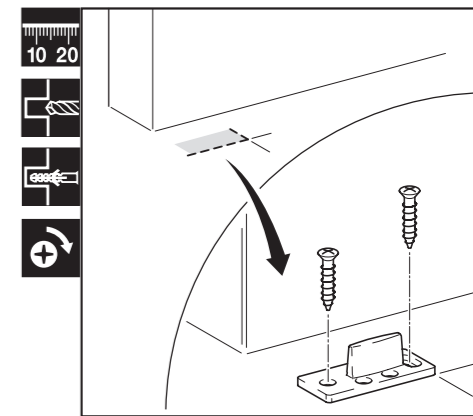


Fig. 18

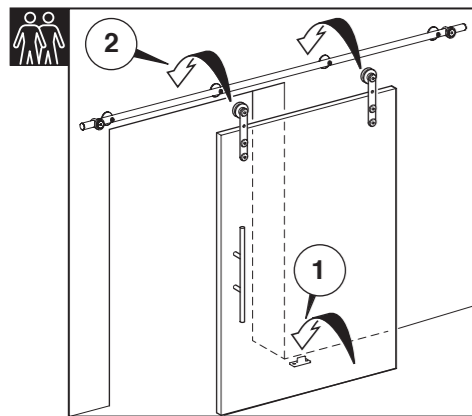


Fig. 19

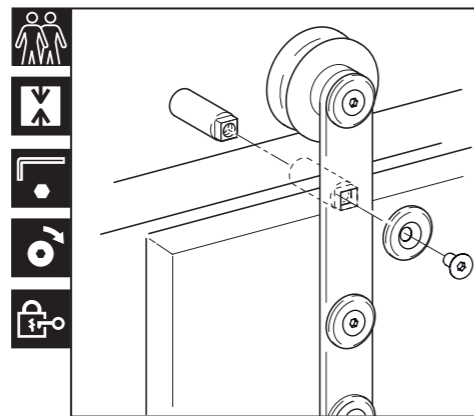


Fig. 20

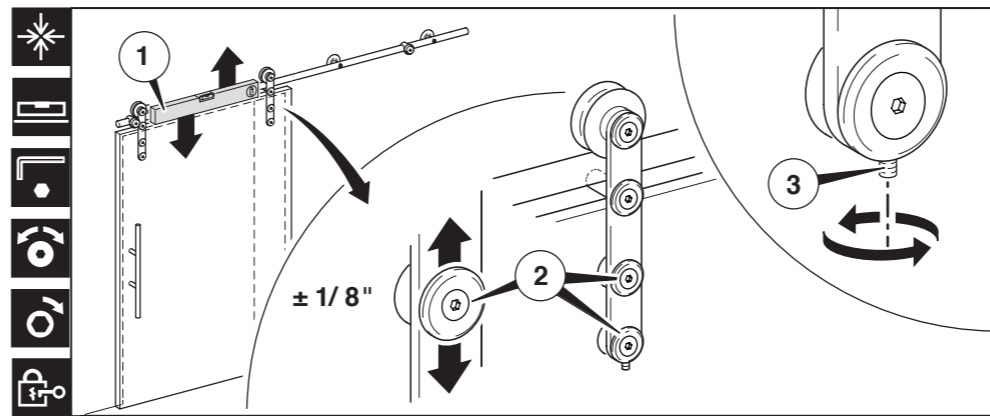


Fig. 21

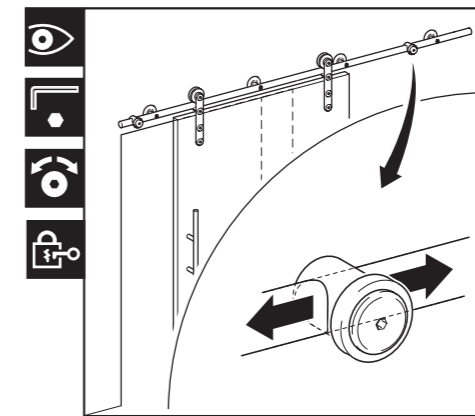


Fig. 22

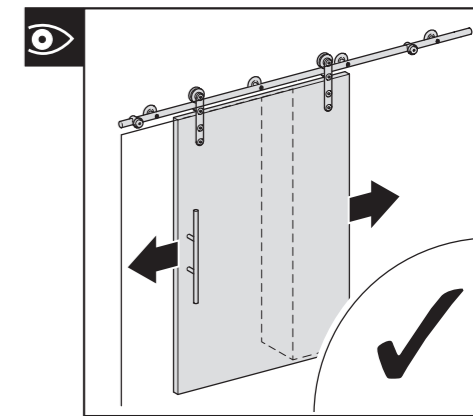
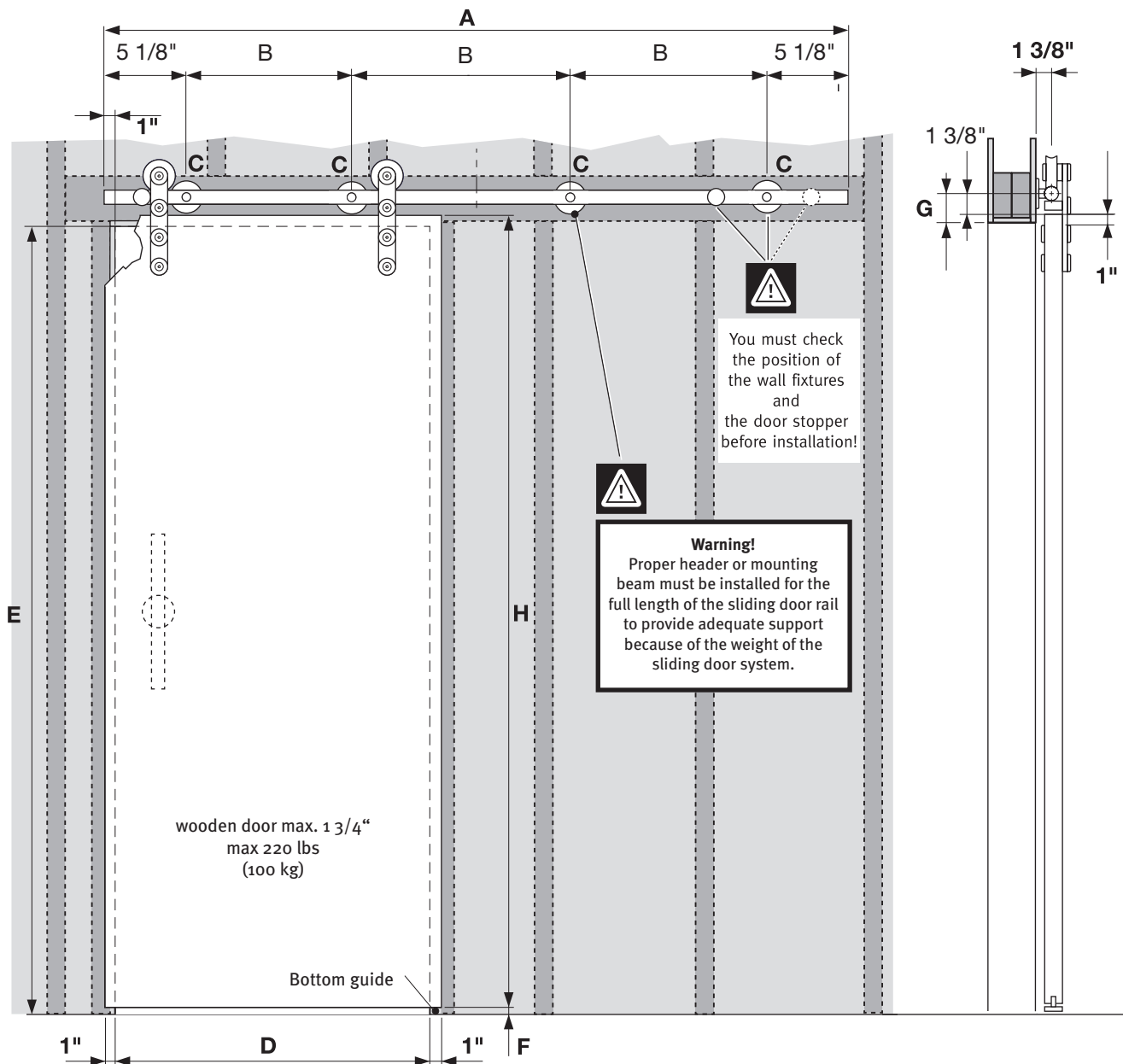


Fig. 23

Planning guide

Sliding door fittings Slick 1

for wooden doors (max. 1 3/4" thickness)



Complete-sets

Set Slick 1 Artikel-No.	A inch	B inch	C Each	D inch	E max. inch	F inch	G inch	H max. inch (H=E-F+1")
USU95-1800EF	70 7/8"	20 1/4"	4	29 1/2" – 35 7/16"	98 7/16"	1/4"–3/8"	2 3/8"	99 1/8"
USU95-2100EF	82 11/16"	24 1/8"	4	35 13/16" – 39 3/8"	98 7/16"	1/4"–3/8"	2 3/8"	99 1/8"
USU95-2300EF	90 9/16"	20 1/16"	5	39 3/4" – 44 1/16"	98 7/16"	1/4"–3/8"	2 3/8"	99 1/8"
USU95-2540EF	100"	22 7/16"	5	44 1/2" – 49 3/16"	98 7/16"	1/4"–3/8"	2 3/8"	99 1/8"

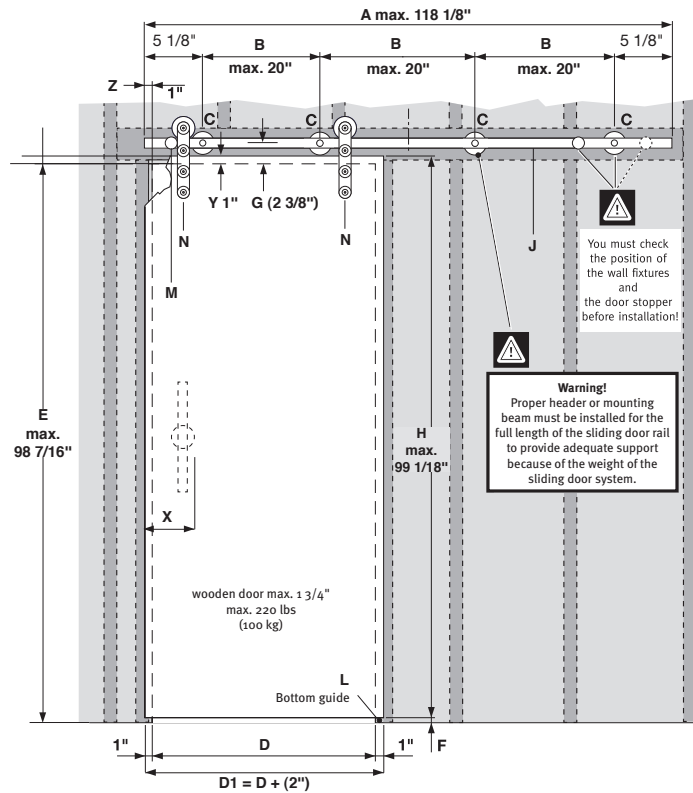
Sliding door fittings Slick 1

for wooden doors (max. 1 3/4" thickness) - 1 door

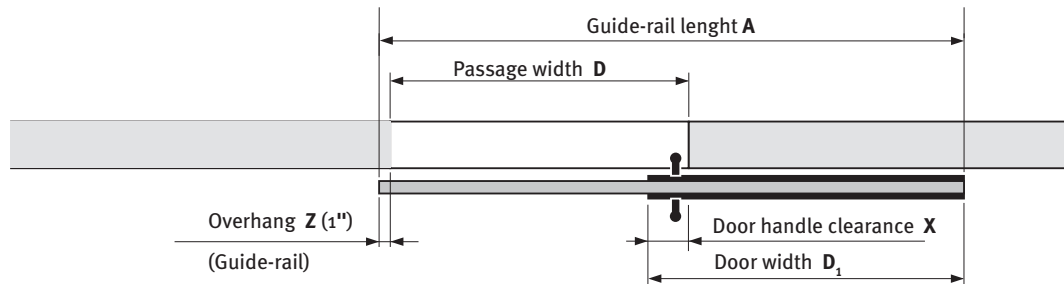
Manufacturing dimensions (special model)

inches			inches			inches			lbs load bearing capacity of the guide rail J	Each		
A	B	C	D	D ₁	E max. 98 7/16"	F 1/4"-3/8"	G	H max. 99 1/8" (H = E - F + Y)		L	M	N
							2 3/8"			1	2	2

- A = Guide-rail length
 - B = Drill hole clearance
 - C = Wall fixture
 - D = Passage width
 - D₁ = Door width
 - E = Passage height
 - F = Door - floor clearance
 - G = Fastening clearance
 - H = Door height
 - J = Load-bearing capacity of the guide rail
 - L = Bottom guide
 - M = Door stopper
 - N = Trolley
 - X = Door knob clearance
 - Y = Door height overhang
 - Z = Guide-rail overhang
- () = recommended!



Calculation for guide-rail length A for 1 door



$$\text{Overhang Z} + \text{Passage width D} + \text{Door width D}_1 - \text{Door handle clearance X} = \text{Guide-rail length A}$$

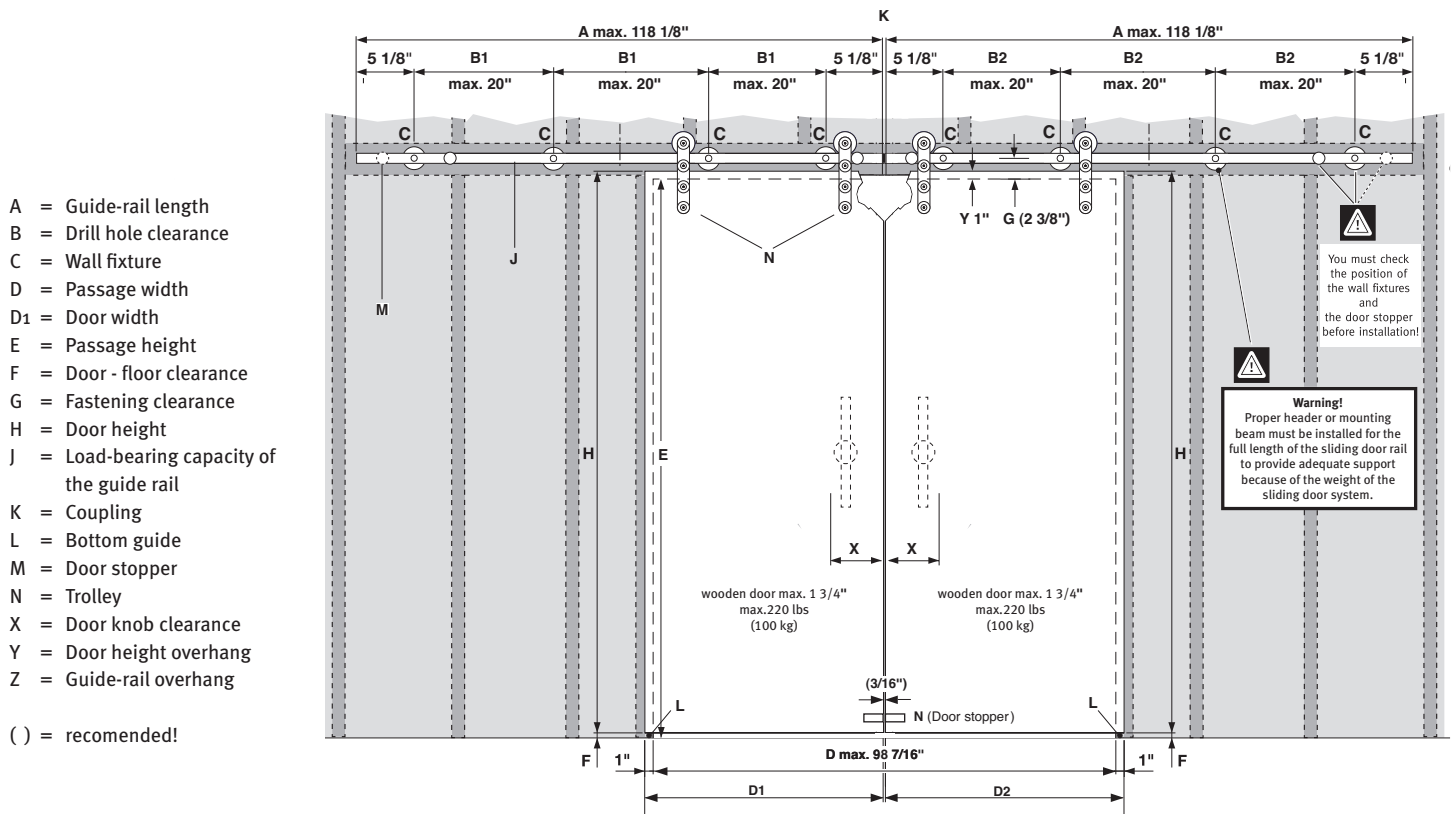


Make door handle clearance so that fingers do not get pinched when the door is used! See page 5.

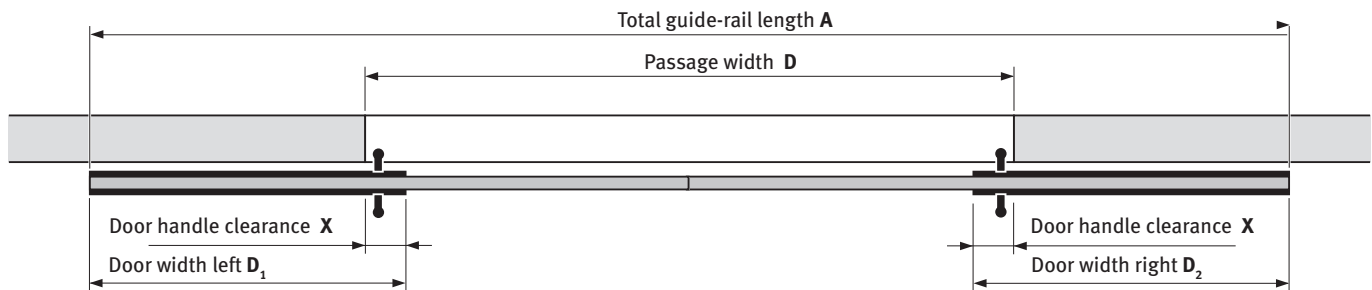
Sliding door fittings Slick 1

for wooden doors (max. 1 3/4" thickness) - 2 doors

inches		Manufacturing dimensions (special model)										lbs	Each			
A	B1	B2	C	D	D ₁	D ₂	E max. 98 7/16"	F 1/4"- 3/8"	G	H max. 99 1/8" (H = E - F + Y)	load bearing capacity of the guide rail J	K	L	M	N	
									2 3/8"			1	2	4	4	



Calculation for total guide-rail length A for 2 doors

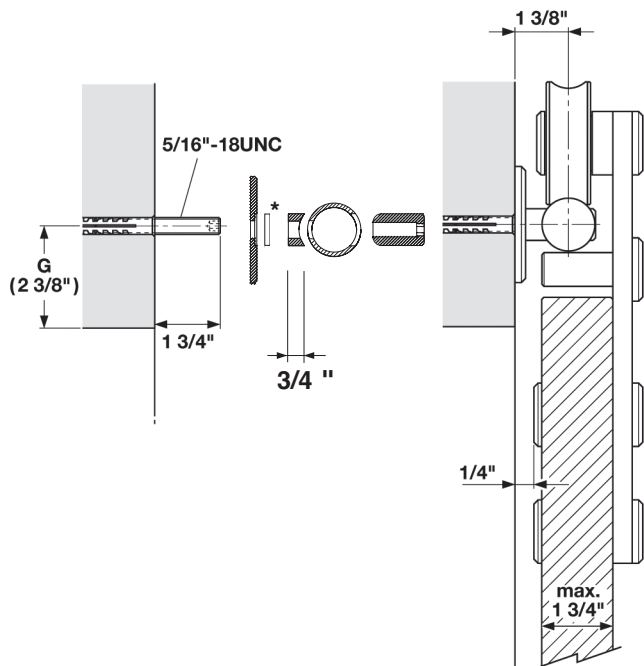


Make door handle clearance so that fingers do not get pinched when the door is used! See page 5.

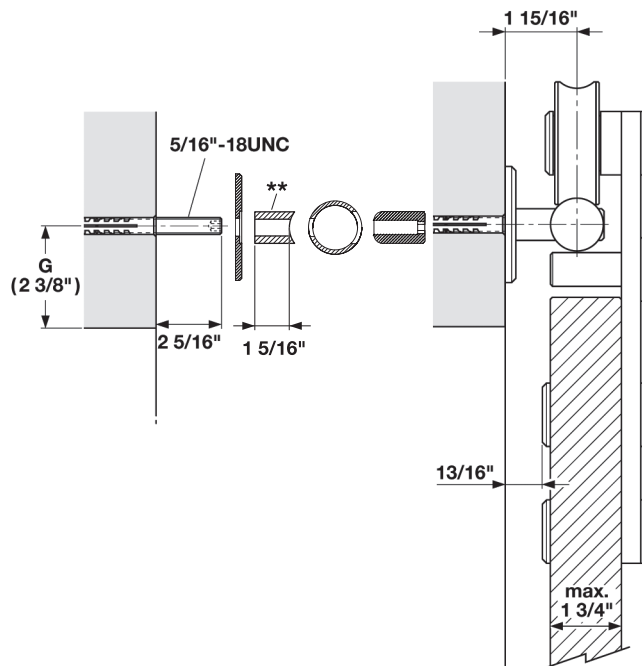
Sliding door fittings Slick 1

for wooden doors (max. 1 3/4" thickness) - Wall fixture

Standard installation




Installation with baseboards and trim



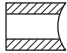
*** Compensation discs 1/16", 3/16" and 3/8"**

To compensate for wall unevenness,
order separately.

(Only 1 piece per wall fixture!)

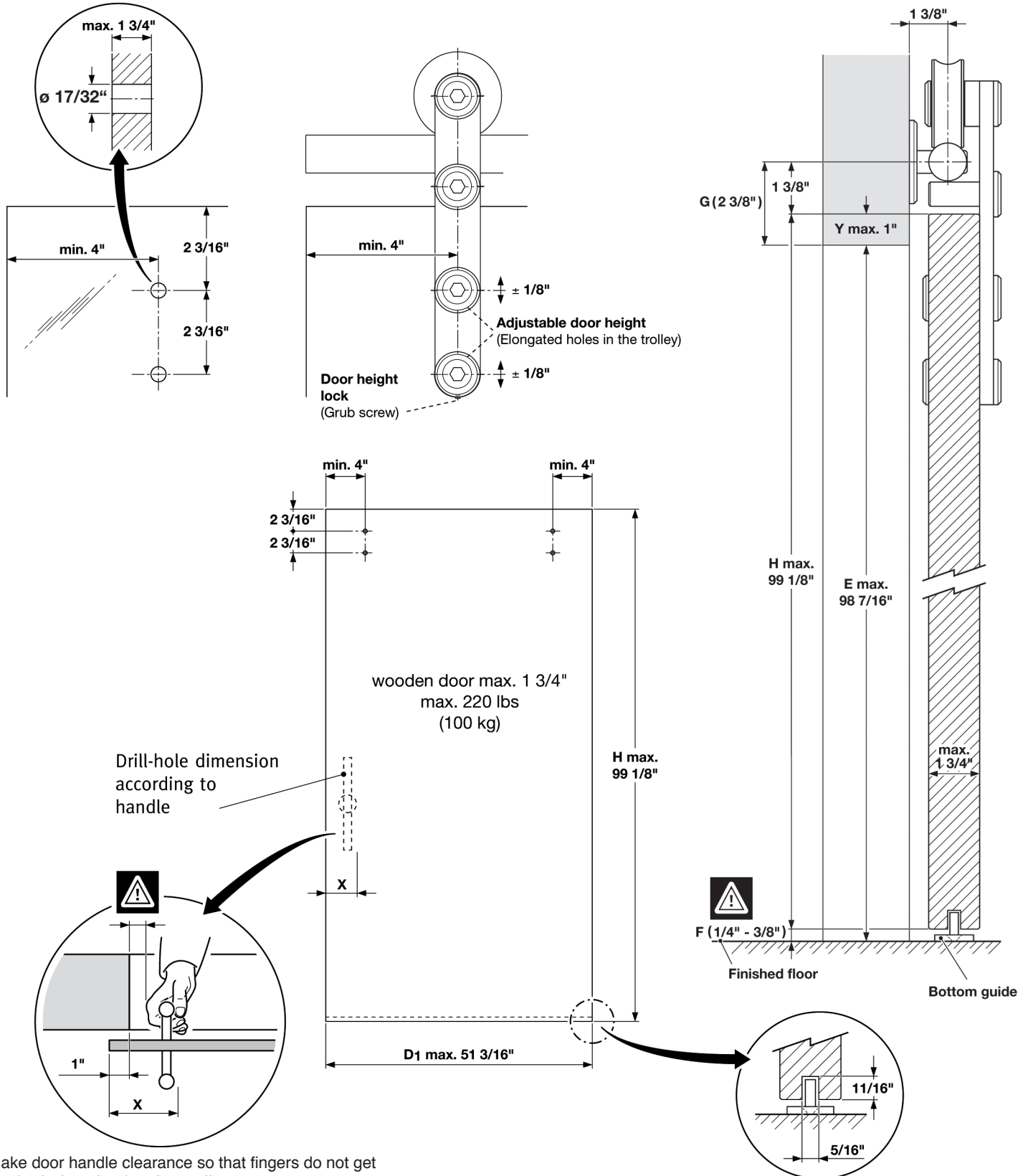
	Art.-No.	inches
	USO216-2EF	1/16"
	USO216-5EF	3/16"
	USO216-10EF	3/8"

**** Spacers** order separately.

	Art.-No.	inches
	USO226-33EF	1 5/16"

Sliding door fittings Slick 1

for wooden doors (max. 1 3/4") - Preparation of door



Make door handle clearance so that fingers do not get pinched when the door is used!

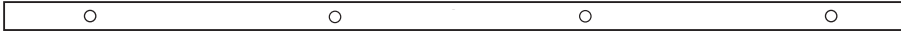
Sliding door fittings Slick 1

for wooden doors (1 3/4" thickness)

Required system parts

Please refer to the catalogue for article no's and models!

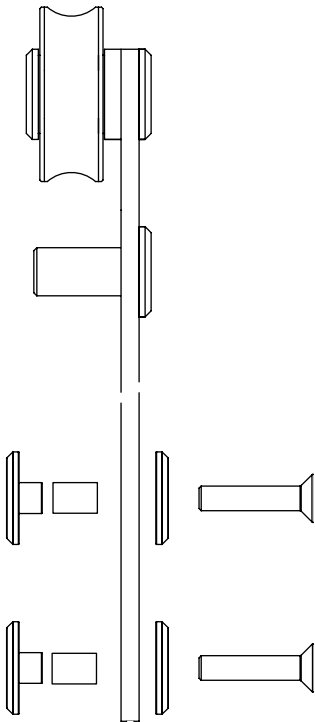
A Guide rail ø 1 "



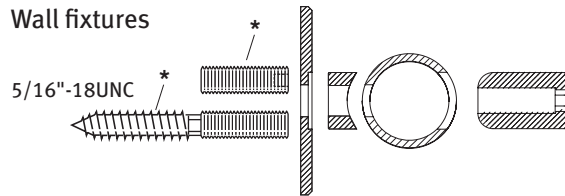
A1 Guide rail ø 1 " for guide rail couplings



N Trolley complete

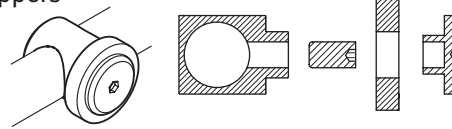


C Wall fixtures



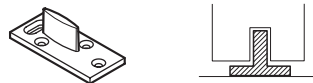
(without screws and dowels, at construction site)
* not included in scope of delivery.

M Door stoppers

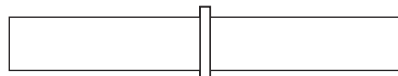


L Bottom guide

(without screws and dowels, at construction site)



K Guide rail cupping



6 Special tool

