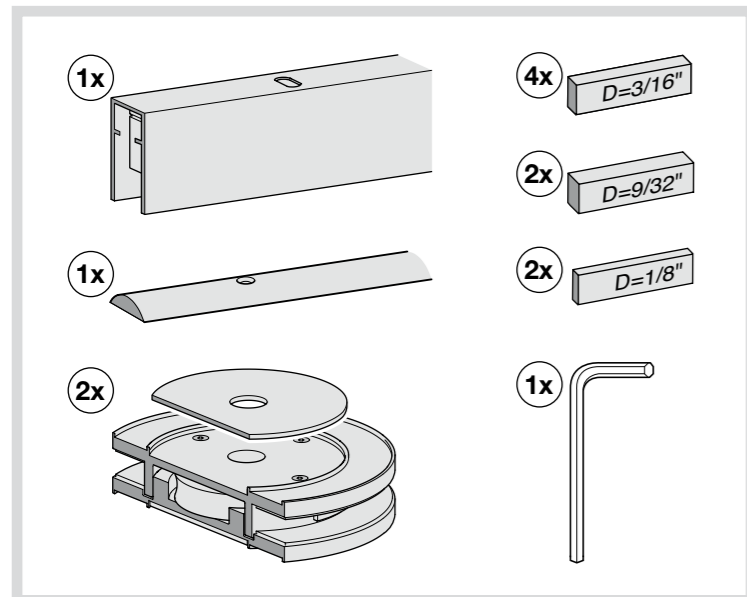
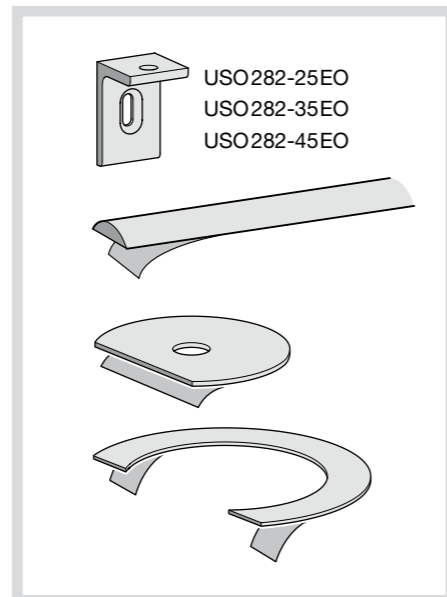


Complete-set



Optional

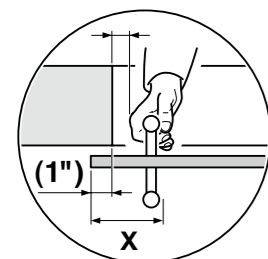


⚠ Comply with all general safety regulations when installing the sliding door fittings!

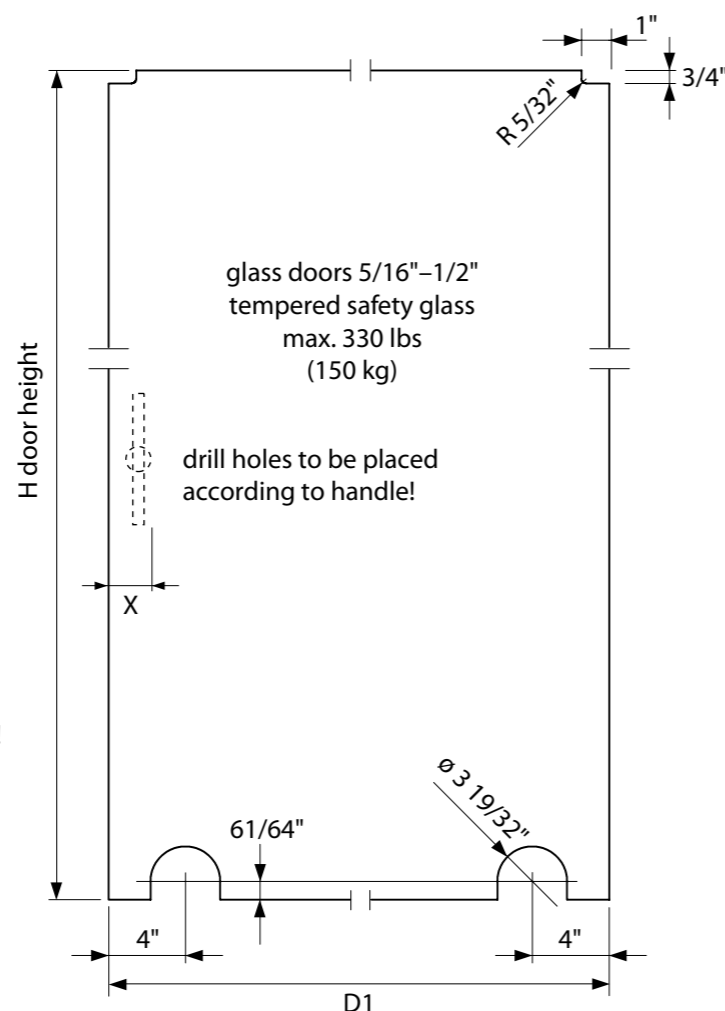
Installation to be completed by qualified licensed contractor. Be sure to tighten all screw connections one week after starting to use the sliding door fittings!

Never use scouring agents to clean the sliding door fittings; rather use commercially available stainless-steel cleaners!

For a double glass door installation you got to mount a door stopper set! Refer to catalogue.

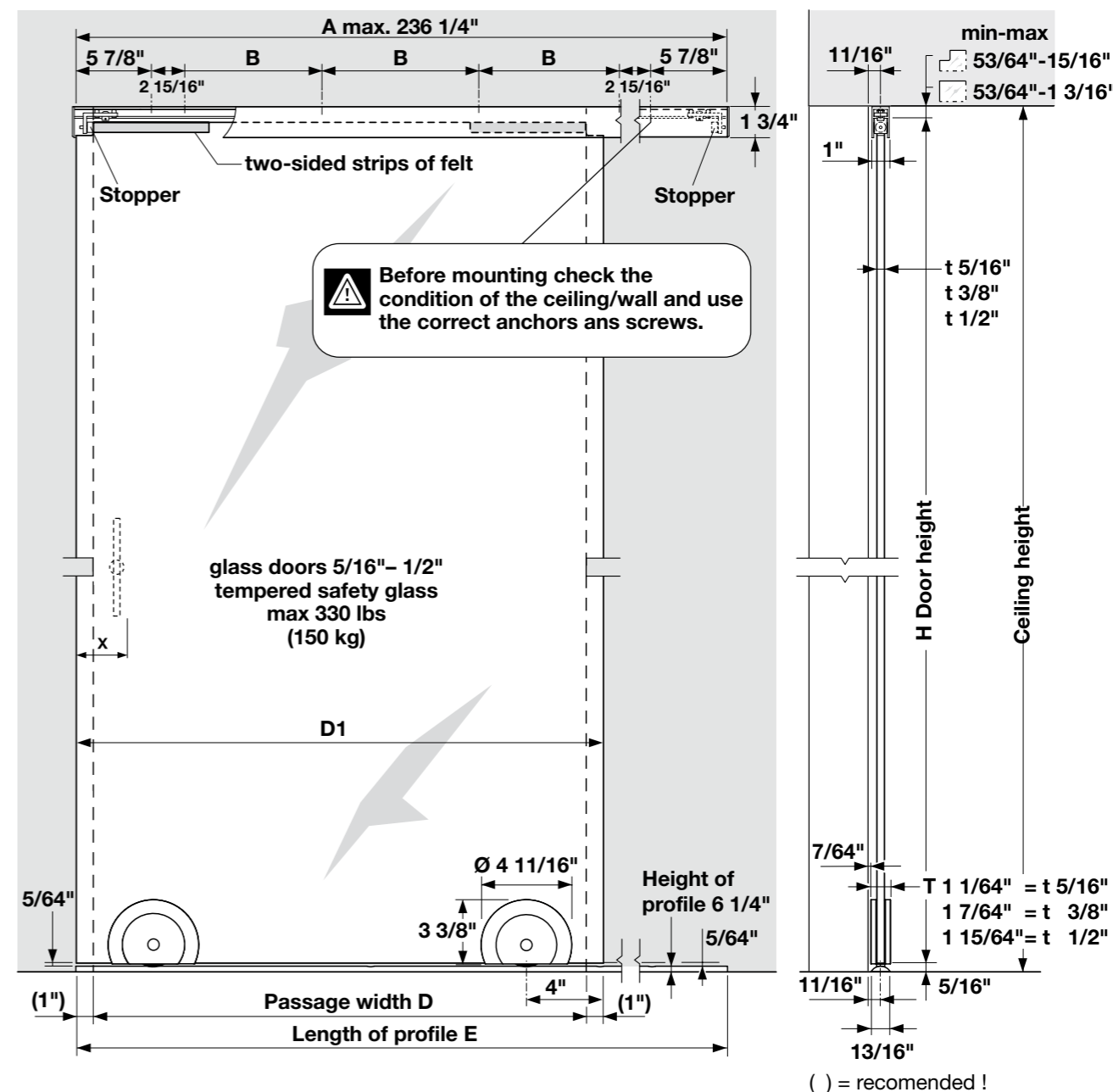


Make door handle clearance so that fingers do not get pinched when the door is used!



Installation instructions

Base bottom roller Silent Glam for glass doors (5/16"-1/2")



Complete-sets

Art.-No.	A inches	B inches	D inches	E inches
USO80.1-1900EF	74 13/16"	28 9/16"	29 1/2"-35 7/16"	74 13/16"
USO80.1-2100EF	82 11/16"	21 11/16"	35 13/16"-39 3/8"	82 11/16"
USO80.1-2350EF	92 1/2"	24 5/16"	39 3/4"-44 1/16"	92 1/2"
USO80.1-2600EF	102 3/8"	28 1/4"	44 1/2"-49 3/16"	102 3/8"

ABP beyerle

ABP-Beyerle GmbH

Im Schollengarten 24 b, D - 76646 Bruchsal (Germany)

Phone + 49 - (0) 7257 / 9127 - 0, Fax + 49 - (0) 7257 / 9127 - 29, Email info@abp-beyerle.de, www.abp-beyerle.de

USO80.1_MONT_US

© by ABP-Beyerle GmbH - Right to make changes reserved - Dimensions in (inches) Version 9.2011

ABP beyerle

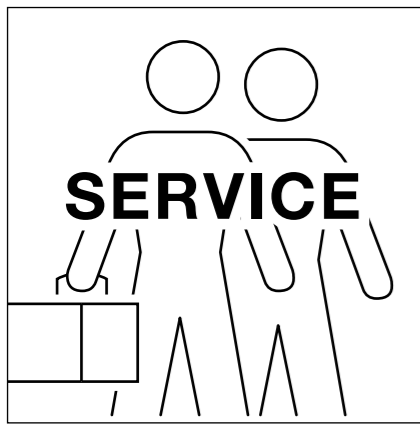


Fig. 1

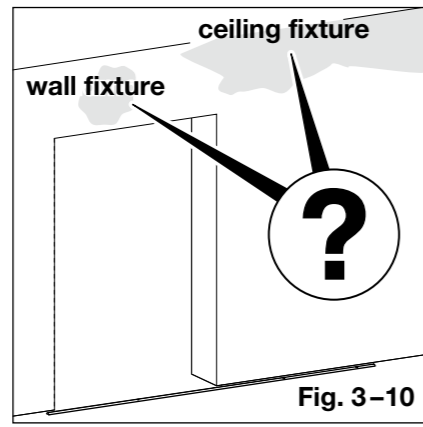


Fig. 2

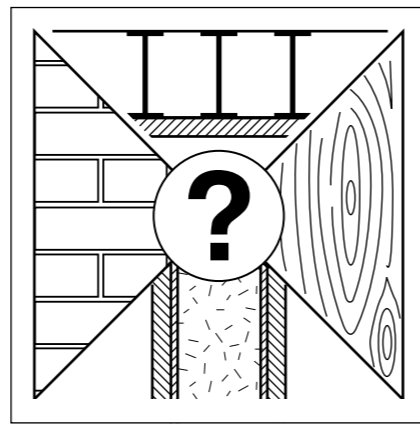


Fig. 3

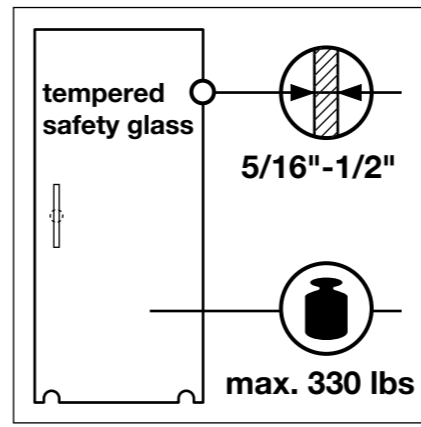


Fig. 4

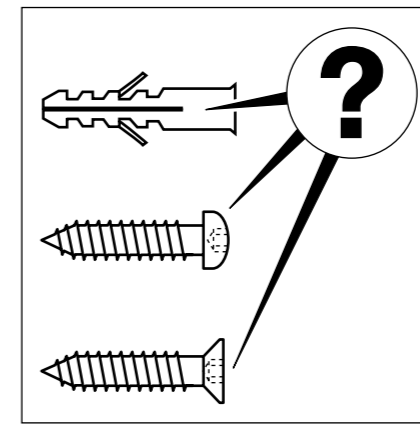


Fig. 5

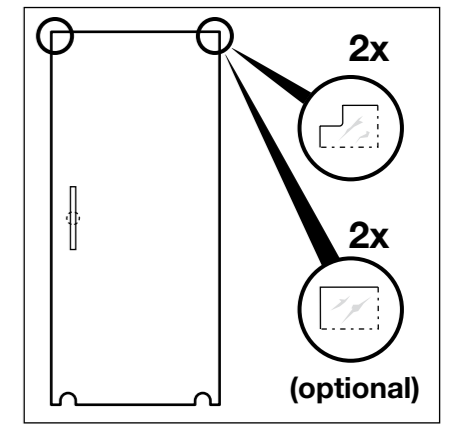


Fig. 6

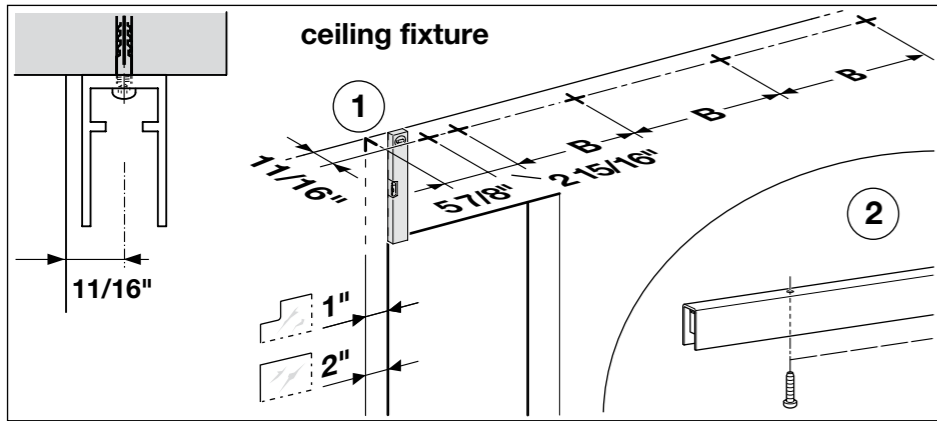


Fig. 7

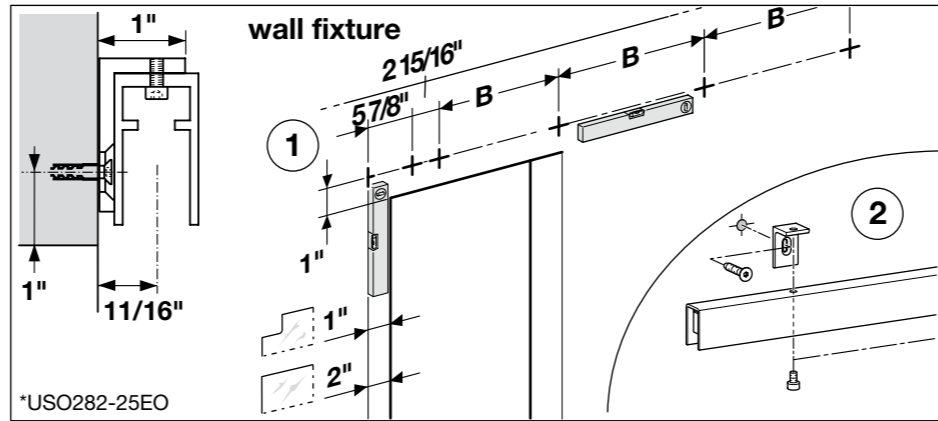


Fig. 8

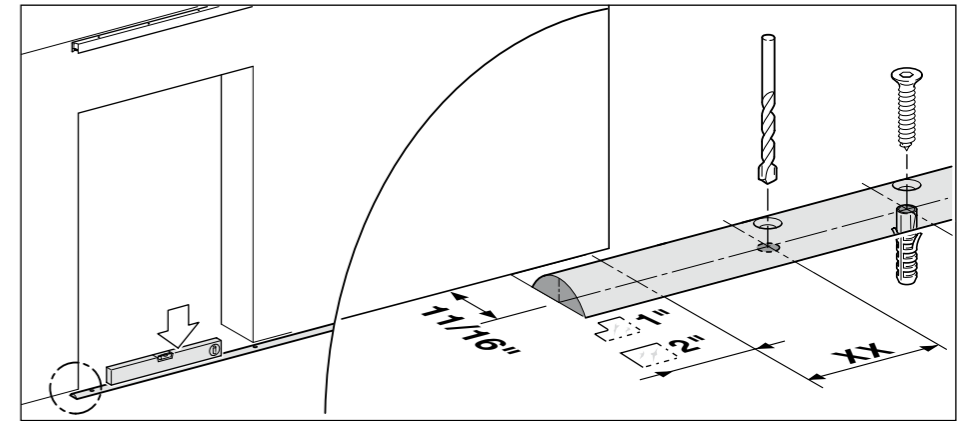
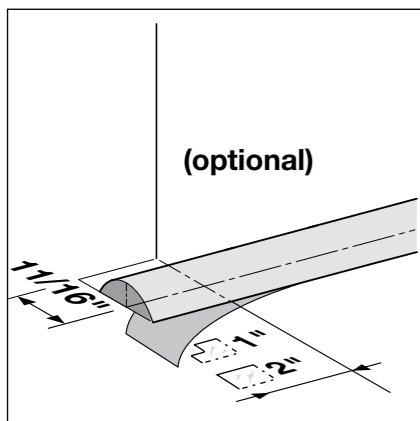


Fig. 9



(optional) Fig. 10

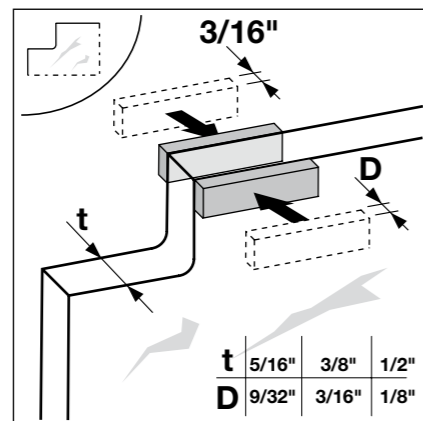


Fig. 11

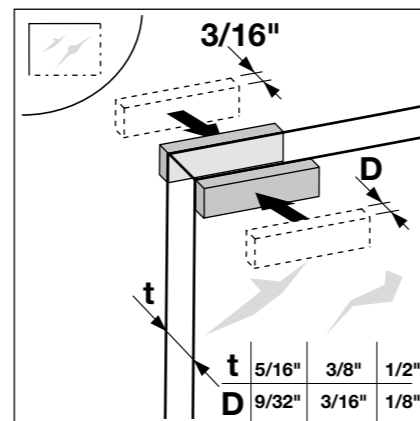


Fig. 12

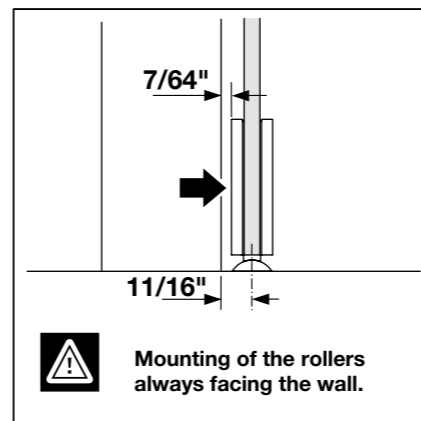


Fig. 13

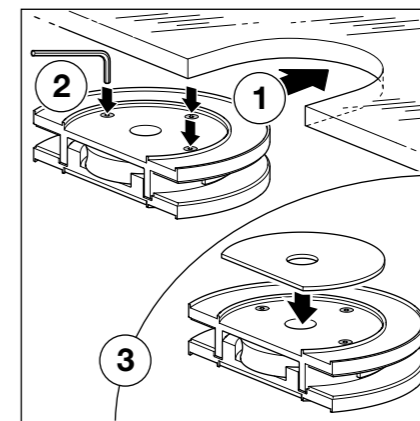
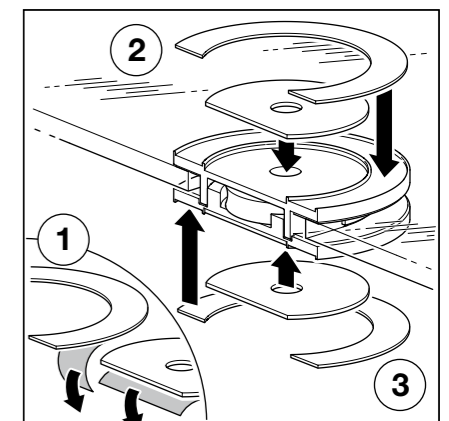


Fig. 14



(optional) Fig. 15

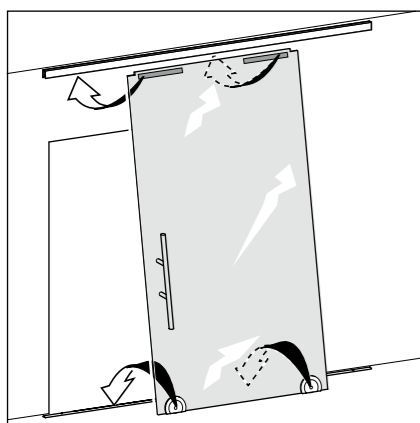


Fig. 16

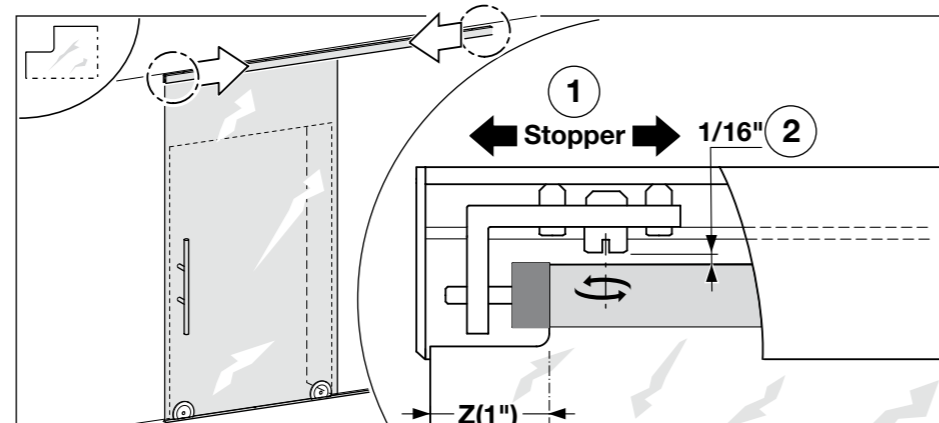


Fig. 17

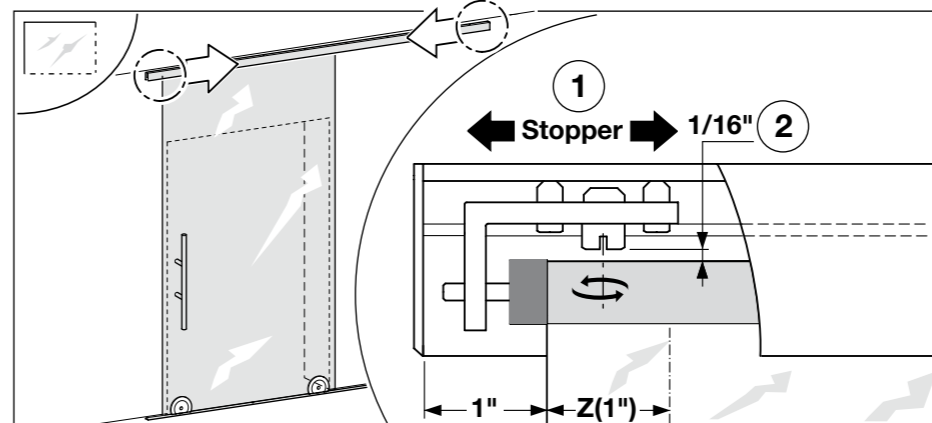


Fig. 18

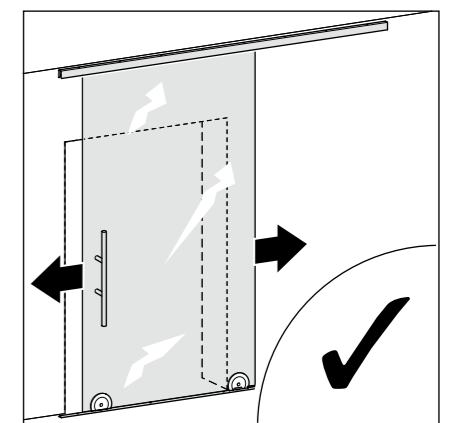
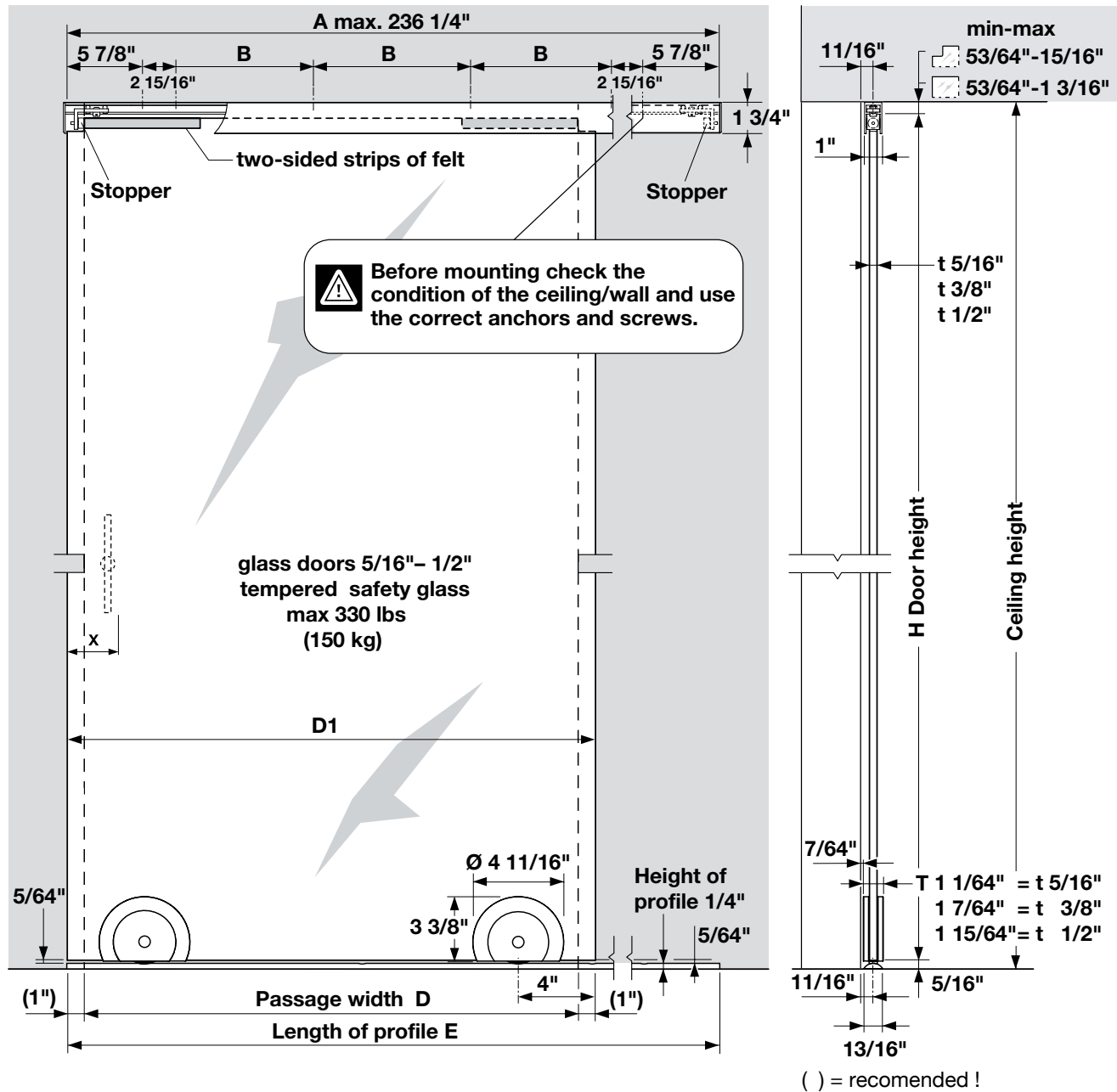


Fig. 19

Planning Guide

Base bottom roller Silent Glam

for glass doors ($5/16''$ – $1/2''$)

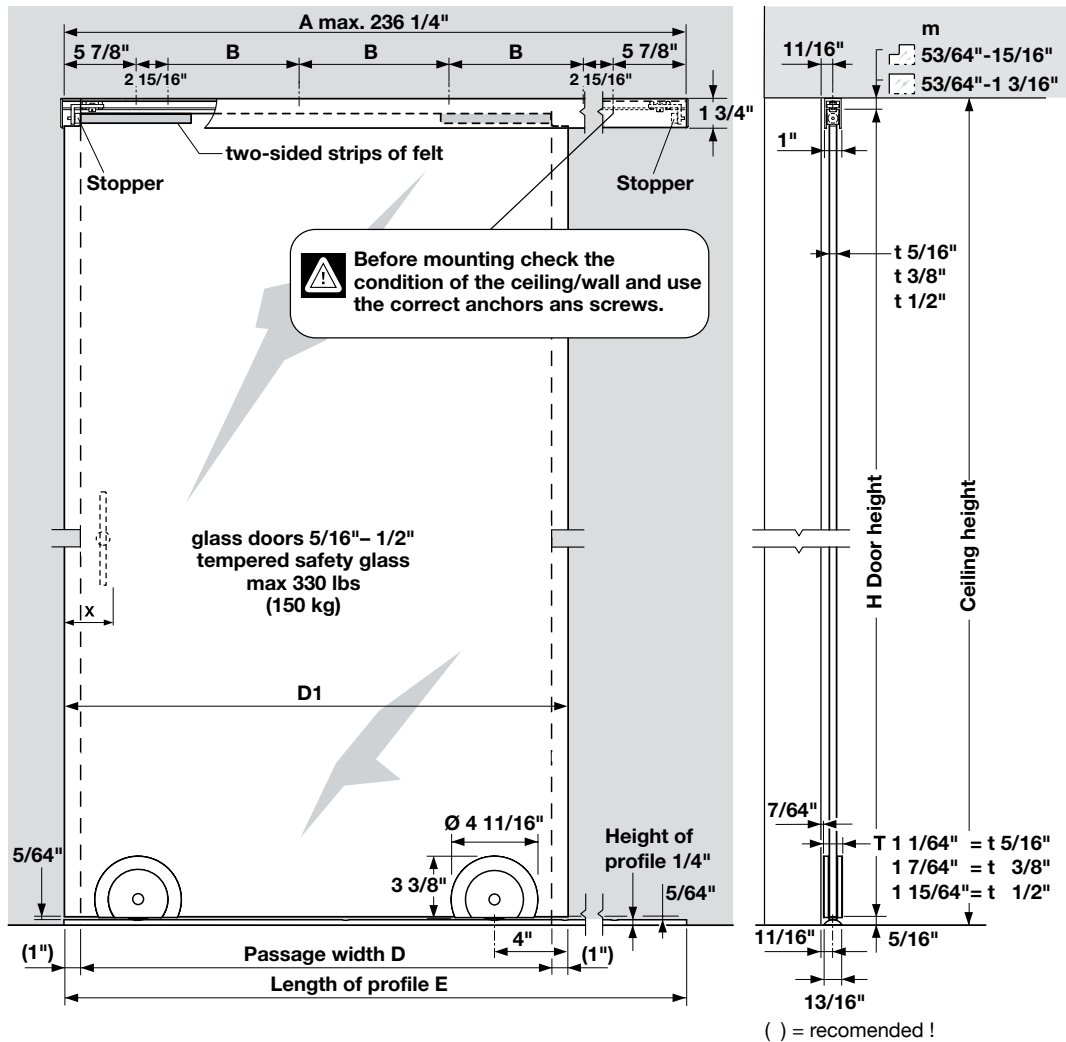


Base bottom roller Silent Glam

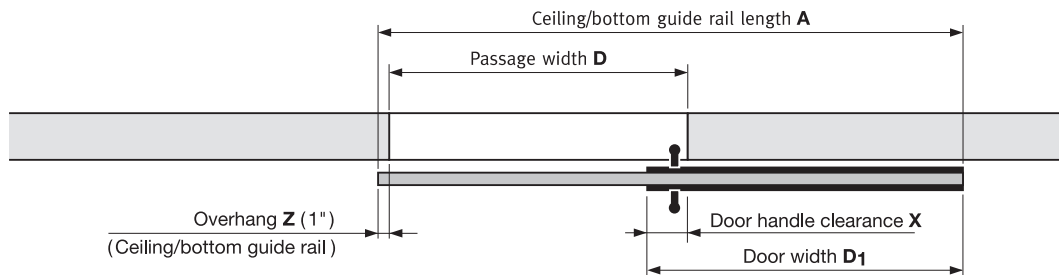
for glass doors (5/16" - 1/2")

Ceiling fixture, standard model for 1 glass door

Manufacturing dimensions (special model)					
A	D	Door width D1 (D + 2 x Z)	Z	E	Door height H



Calculation for ceiling/bottom guide rail length A (1 glass door)



$$\text{Overhang Z} + \text{Passage width D} + \text{Door width D1} - \text{Door handle clearance X} = \text{Ceiling/bottom guide rail length A}$$

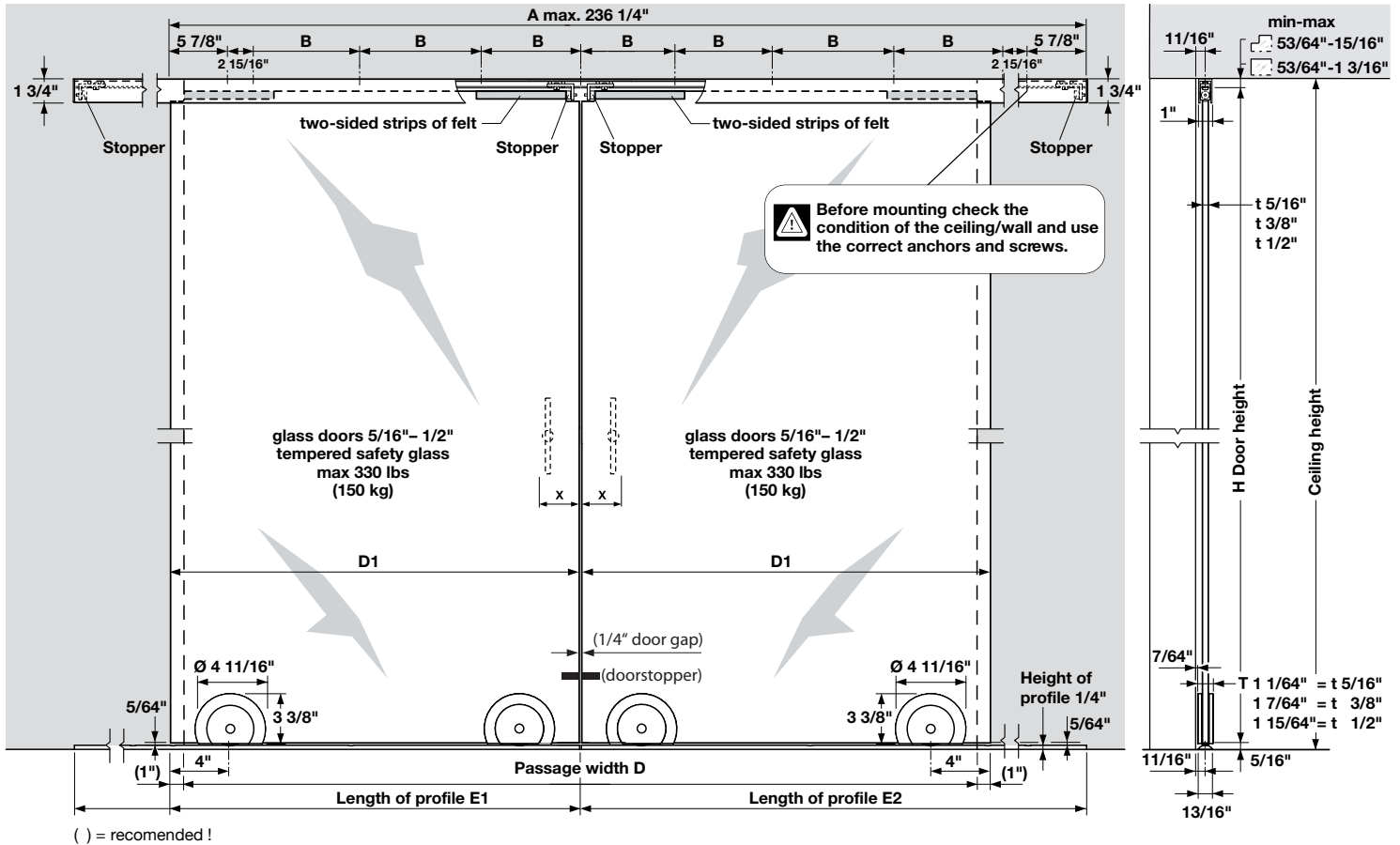
Make door handle clearance so that fingers do not get pinched when the door is used! See page 5.

Base bottom roller Silent Glam

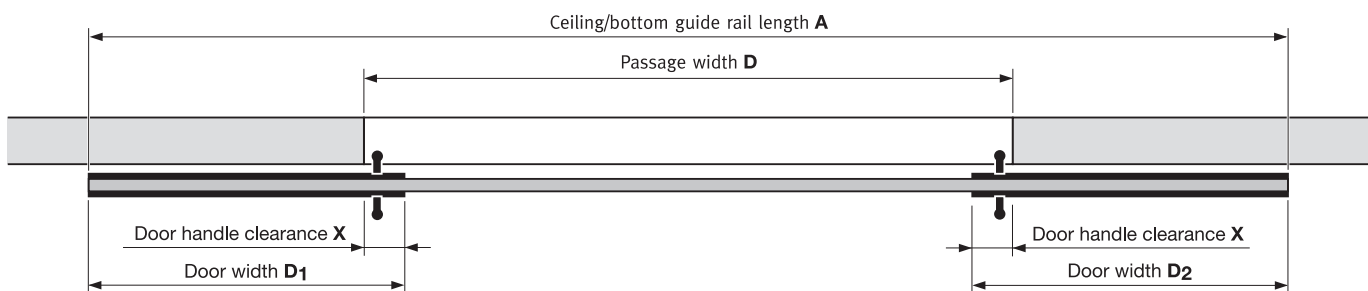
for glass doors (5/16"-1/2")

Ceiling fixture, standard model for 2 glass doors

Manufacturing dimensions (special model)									
A	A1	A2	D	Door width D1 (D:2+Z-1/2 Door gap)	Door width D2 (D:2+Z-1/2 Door gap)	Z	E1	E2	Door height H



Calculation for ceiling/bottom guide rail length A (2 glass doors)



$$\text{Door width } D_1 - \text{Door handle clearance } X + \text{Passage width } D + \text{Door width } D_2 - \text{Door handle clearance } X = \text{Ceiling/bottom guide rail length } A$$

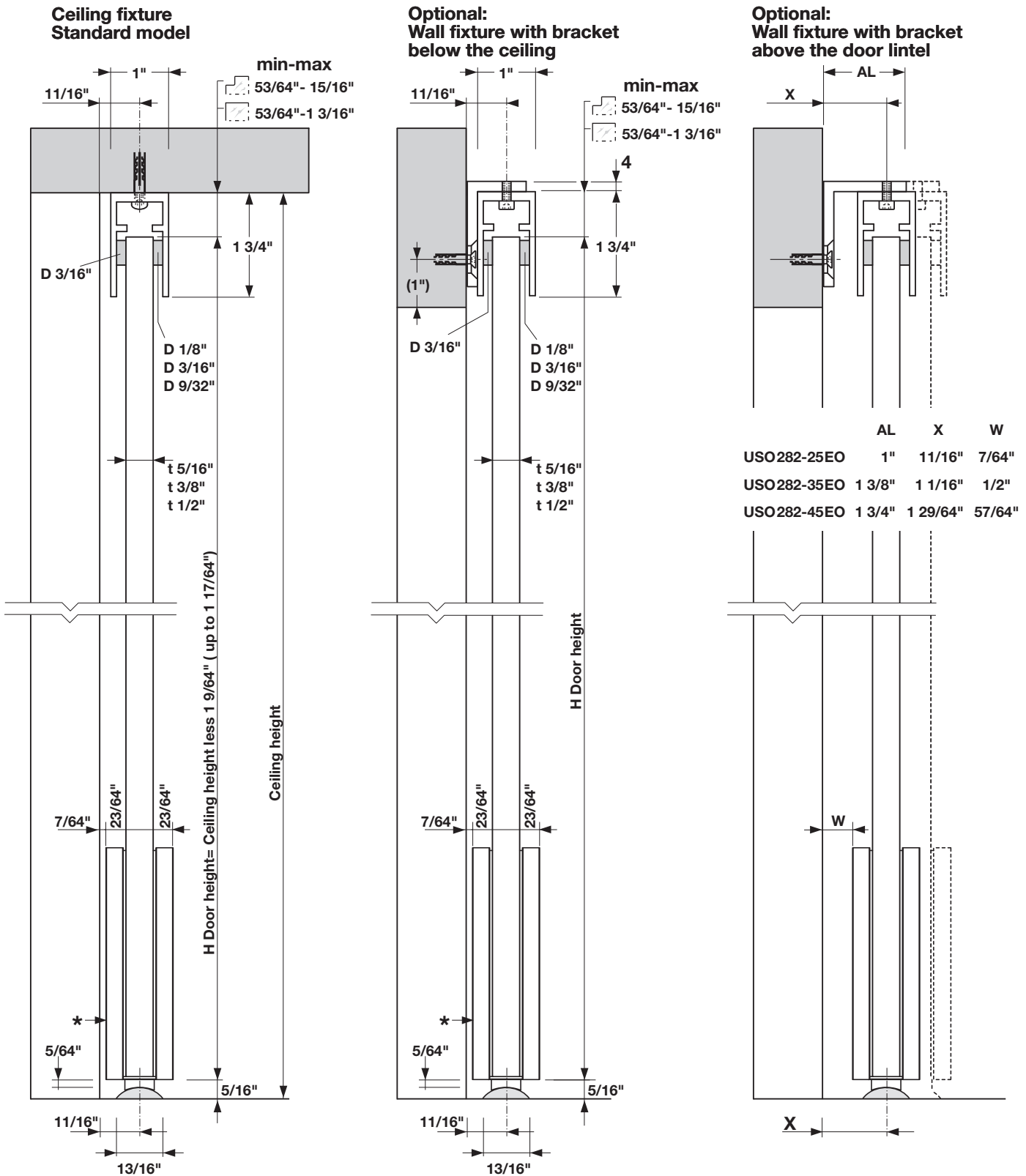


Make door handle clearance so that fingers do not get pinched when the door is used! See page 5

Base bottom roller Silent Glam

for glass doors ($5/16''$ - $1/2''$)

Installation models



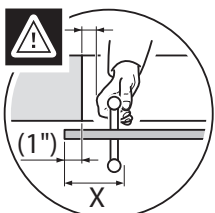
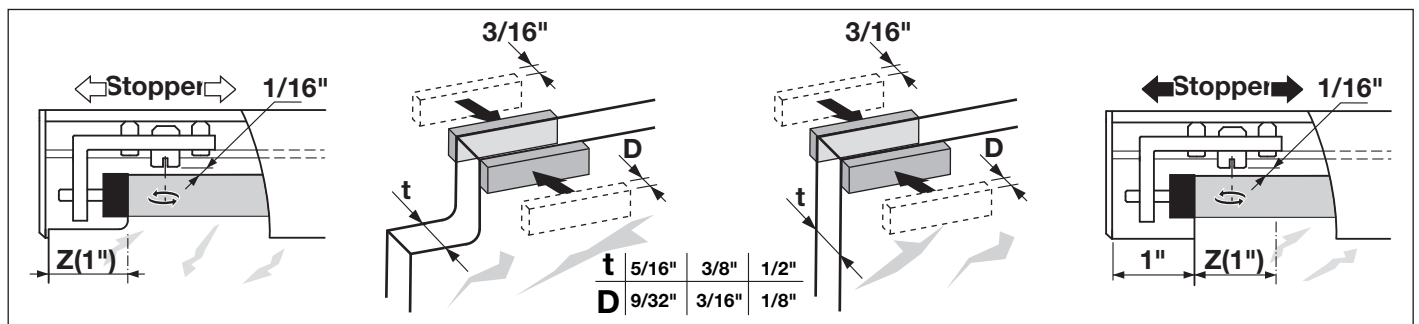
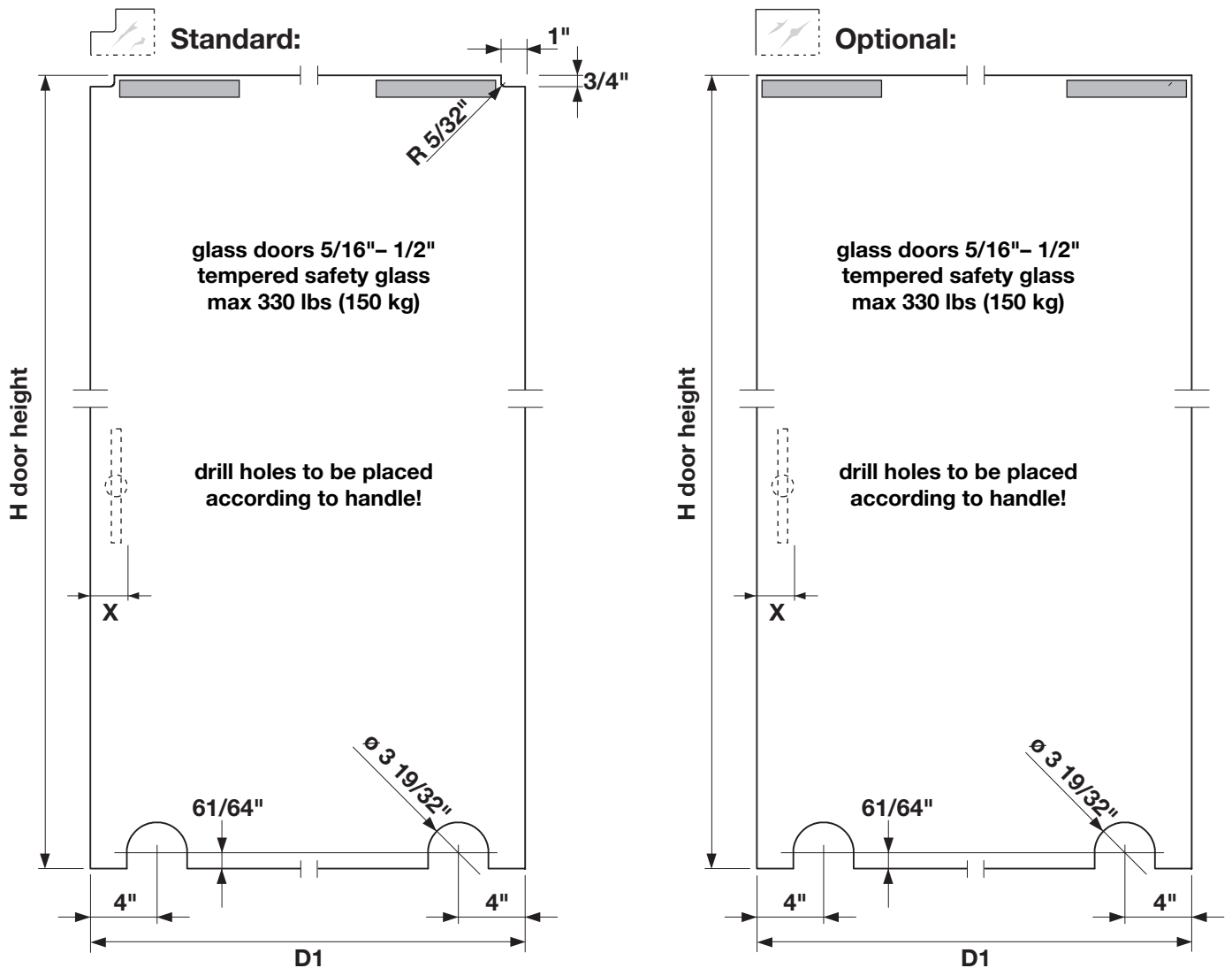
Before mounting check the condition of the ceiling/and use the correct anchors and screws!

* Mounting of the rollers always facing the wall!

Base bottom roller Silent Glam

for glass doors ($5/16''$ - $1/2''$)

Preparation of glass door, stopper adjustment



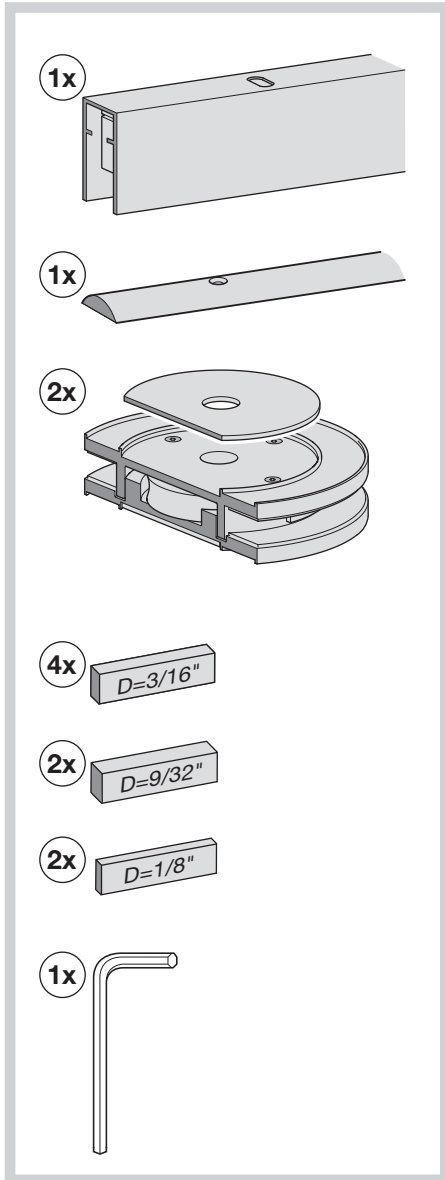
For a double glass door installation you got to mount a door stopper set!
 Make door handle clearance so that fingers do not get pinched
 when the door is used!

Base bottom roller Silent Glam

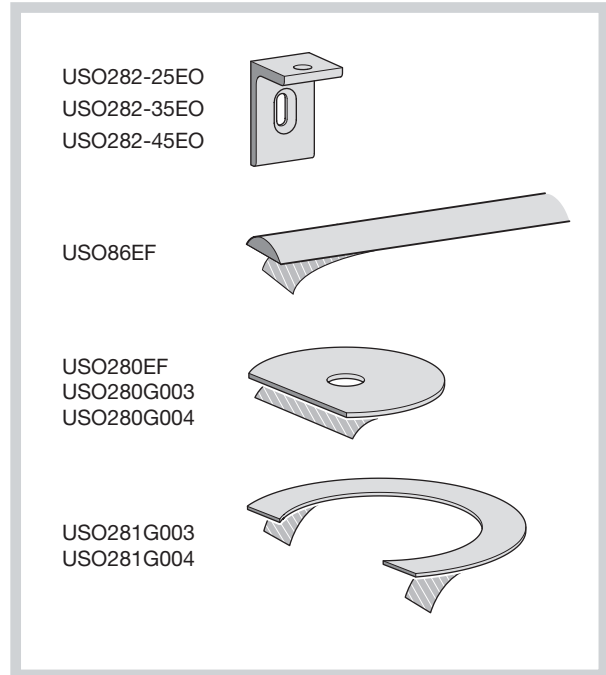
for glass doors (5/16"-1/2")

System components

Complete-Set:



Optional:



ABP  **beyerle**

Beyerle US L.L.C.

1294 Logan Circle NW, Atlanta, GA 30318

Phone (404) 350-9738, Fax (404) 355-0166, www.beyerle-us.com