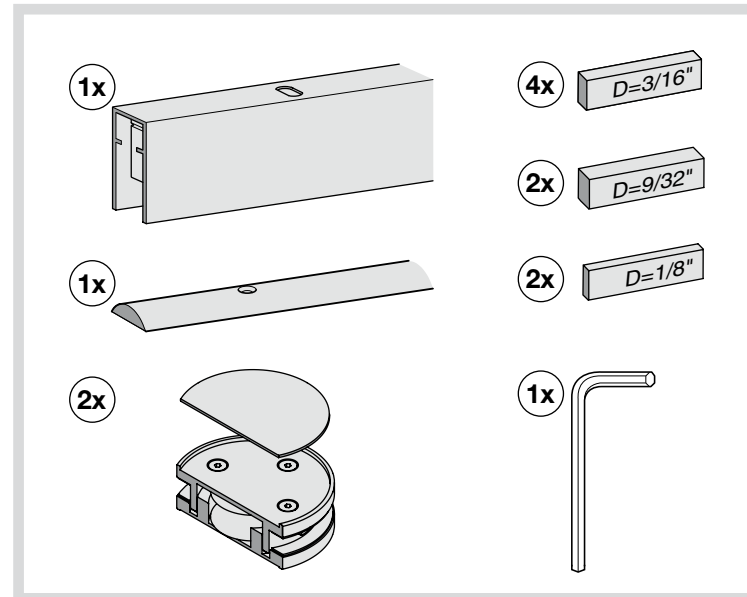


Complete-set



Optional

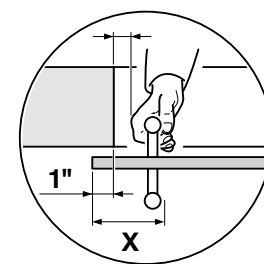


⚠ Comply with all general safety regulations when installing the sliding door fittings!

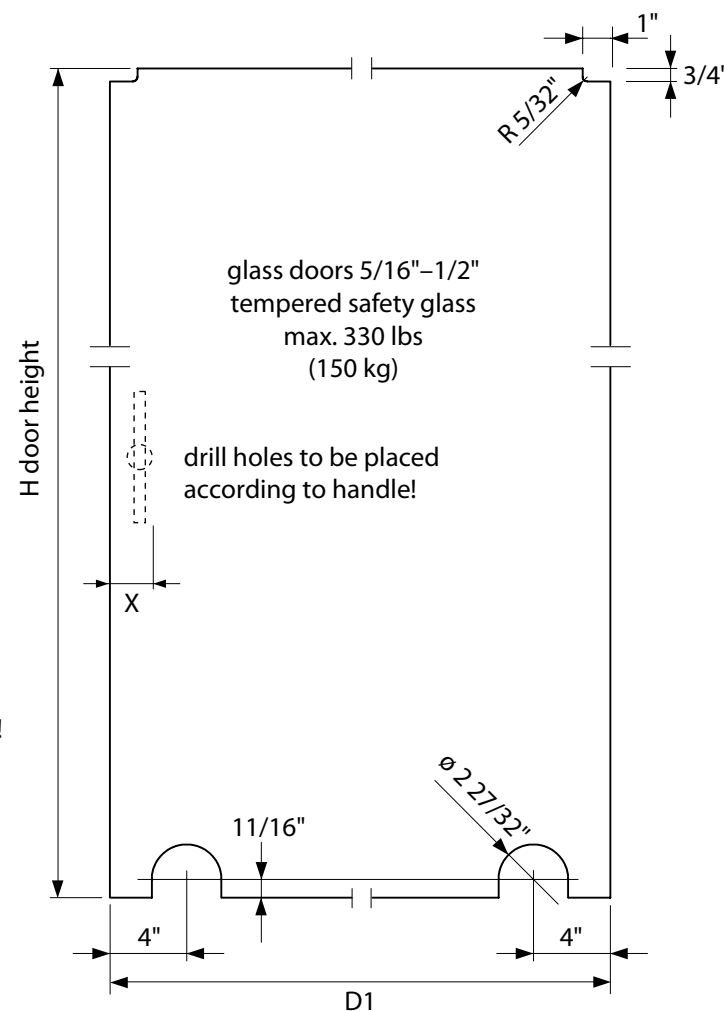
Installation to be completed by qualified licensed contractor. Be sure to tighten all screw connections one week after starting to use the sliding door fittings!

Never use scouring agents to clean the sliding door fittings; rather use commercially available stainless-steel cleaners!

For a double glass door installation you got to mount a door stopper set! Refer to catalogue.



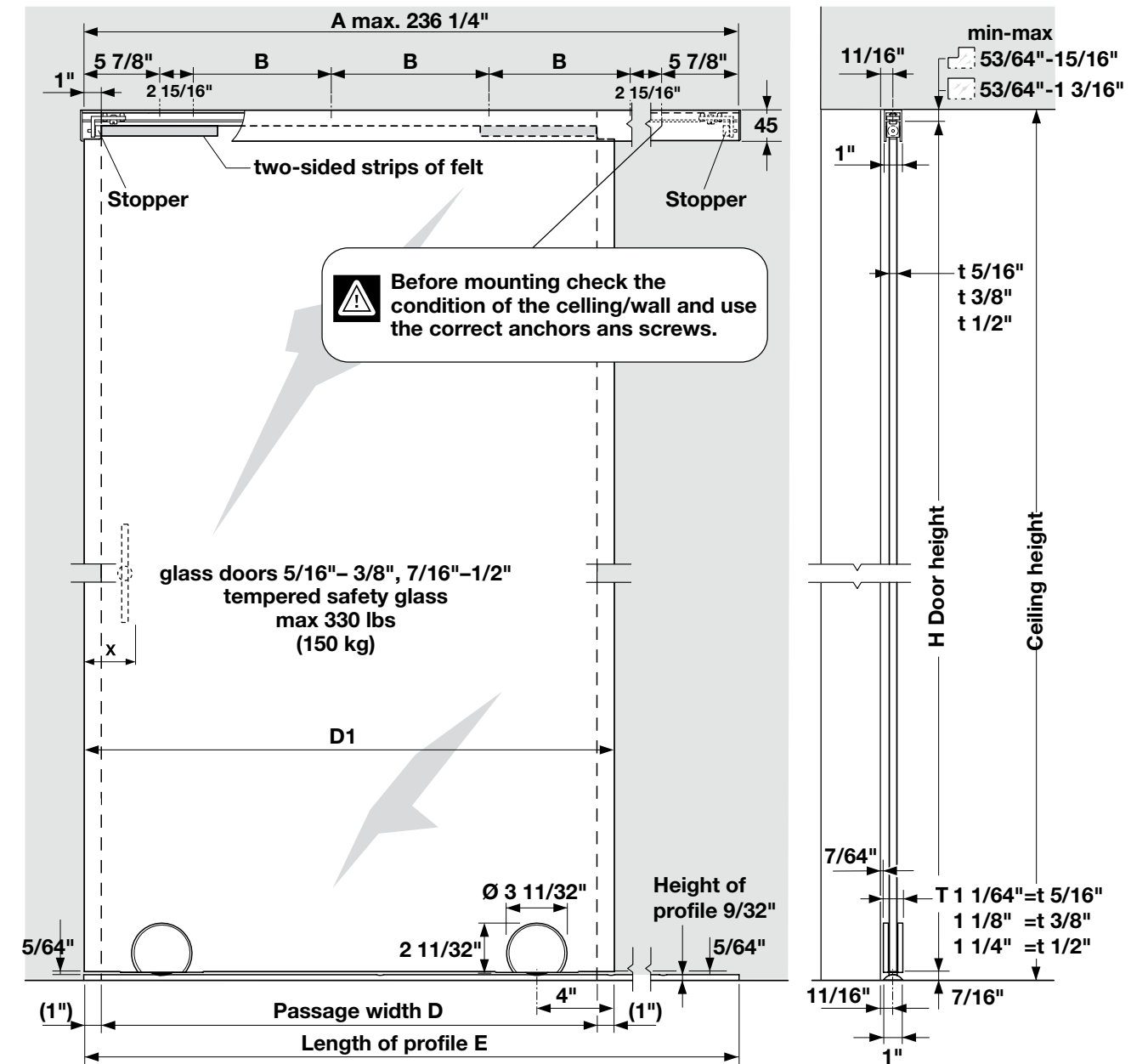
Make door handle clearance so that fingers do not get pinched when the door is used!



Installation instructions

Base bottom roller Bellans

for glass doors ($5/16'' - 1/2''$)



Complete-sets

Art.-No.	A inches	B inches	D inches	E inches
USO81.1-1900EF	74 13/16"	28 9/16"	29 1/2"-35 7/16"	74 13/16"
USO81.1-2100EF	82 11/16"	21 11/16"	35 13/16"-39 3/8"	82 11/16"
USO81.1-2350EF	92 1/2"	24 5/16"	39 3/4"-44 1/16"	92 1/2"
USO81.1-2600EF	102 3/8"	28 1/4"	44 1/2"-49 3/16"	102 3/8"

ABP beyerle

Beyerle US L.L.C.

1294 Logan Circle NW, Atlanta, GA 30318

Phone (404) 350-9738, Fax (404) 355-0166, www.beyerle-us.com

USO81.1_MONT_US

